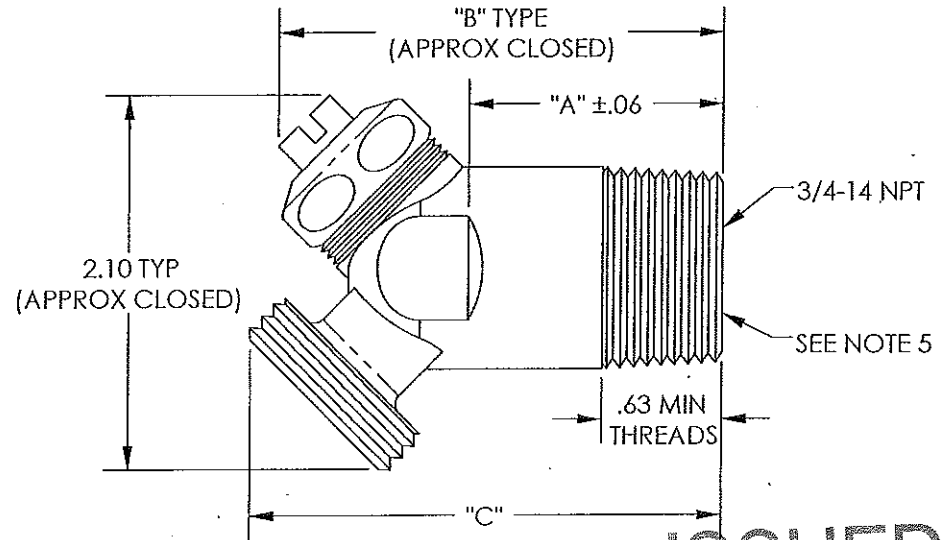
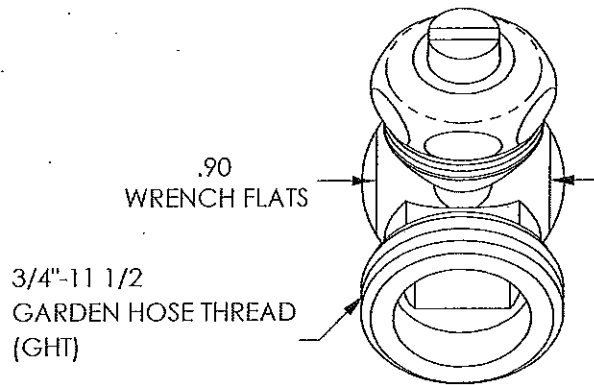
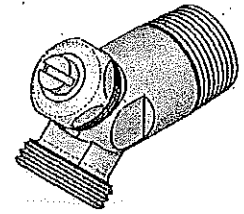


PART NUMBER	"A"	"B"	"C"
026273-000	0.75	1.90	1.94
026273-003	1.25	2.40	2.44
026273-004	2.50	3.65	3.69
026273-005	1.50	2.65	2.69
026273-006	3.00	4.15	4.19
026273-007	2.00	3.15	3.19
026273-008	1.75	2.90	2.94
026273-009	3.50	4.65	4.69



NOTES:

1. BRASS MUST HAVE 55 PERCENT MIN COPPER.
2. THESE PARTS COMPLY WITH SANITATION APPROVAL REQUIREMENTS OF NSF-5 AND/OR NSF-61.
3. TEFLON TAPE - 2 WRAP MIN OR OPTIONAL COATING OF LOCTITE DRI-SEAL 513 TO BE APPLIED TO THE THREADS.
4. DRAIN VALVE MUST PASS HYDROSTATIC (WATER) TEST PRESSURE OF 150 PSI @ 180°F ACCORDING TO NSF STANDARD 61.
5. VALVE MUST BE IN CLOSED POSITION.

**CONTROLLED ISSUED**  
 NOV 21 2013  
**ORIGINAL**

PART NUMBER 026273-XXX



FRANKLIN,  
TN U.S.A.  
www.apcom-inc.com

MATERIAL:  
SEE NOTES

**CONFIDENTIAL**  
 THIS DOCUMENT IS, AND CONTAINS, CONFIDENTIAL AND TRADE SECRET INFORMATION OF APCOM.  
 THIS DOCUMENT IS LOANED FOR LIMITED PURPOSES ONLY, AND REMAINS THE PROPERTY OF APCOM. IT IS TO BE RETURNED UPON REQUEST, AND IN ALL EVENTS UPON COMPLETION OF THE PURPOSE OF THE LOAN.  
 NEITHER IT, NOR THE INFORMATION IT CONTAINS, MAY BE REPRODUCED, USED, OR DISCLOSED TO PERSONS NOT HAVING A NEED TO KNOW CONSISTENT WITH THE PURPOSE OF THE LOAN, WITHOUT WRITTEN CONSENT OF APCOM.

**UNSPECIFIED TOLERANCES:**  
 2 PLACE DEC. ±.010 | FRACT. ±1/32  
 3 PLACE DEC. ±.005 | ANGLES ±2°  
 ALL DIMENSIONS IN INCHES UNLESS OTHERWISE SPECIFIED. METRIC UNITS ARE DISPLAYED AS [XXX]

TITLE:  
VALVE, DRAIN

DRAWN: CROSS, S

CHECKED: mm 7/21/10

APPROVED: [Signature] 7/21/10

DATE: 7/21/2010

SCALE: 1:1

DRAWING NUMBER: 026273

REV.	DCN	DESCRIPTION	DATE
00	A10165	INITIAL DRAWING	7/21/2010