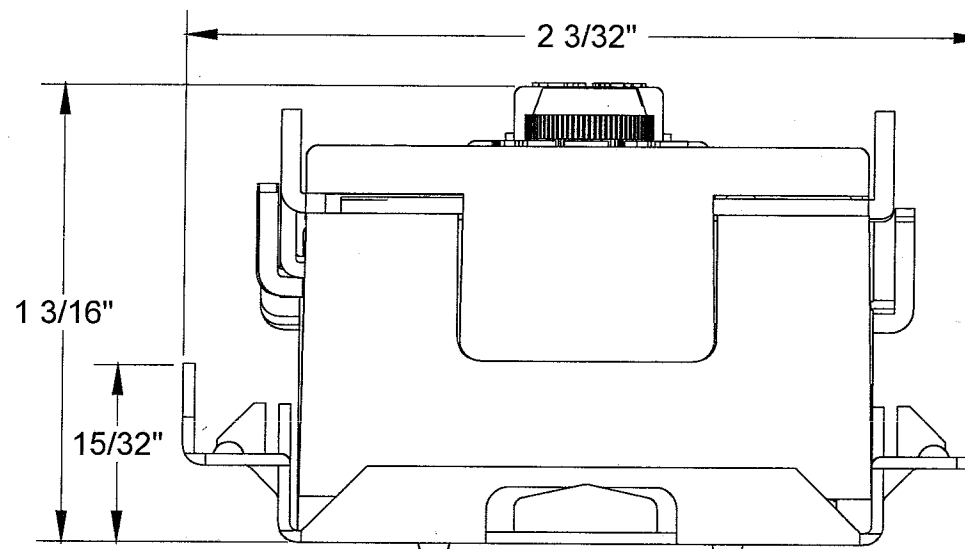
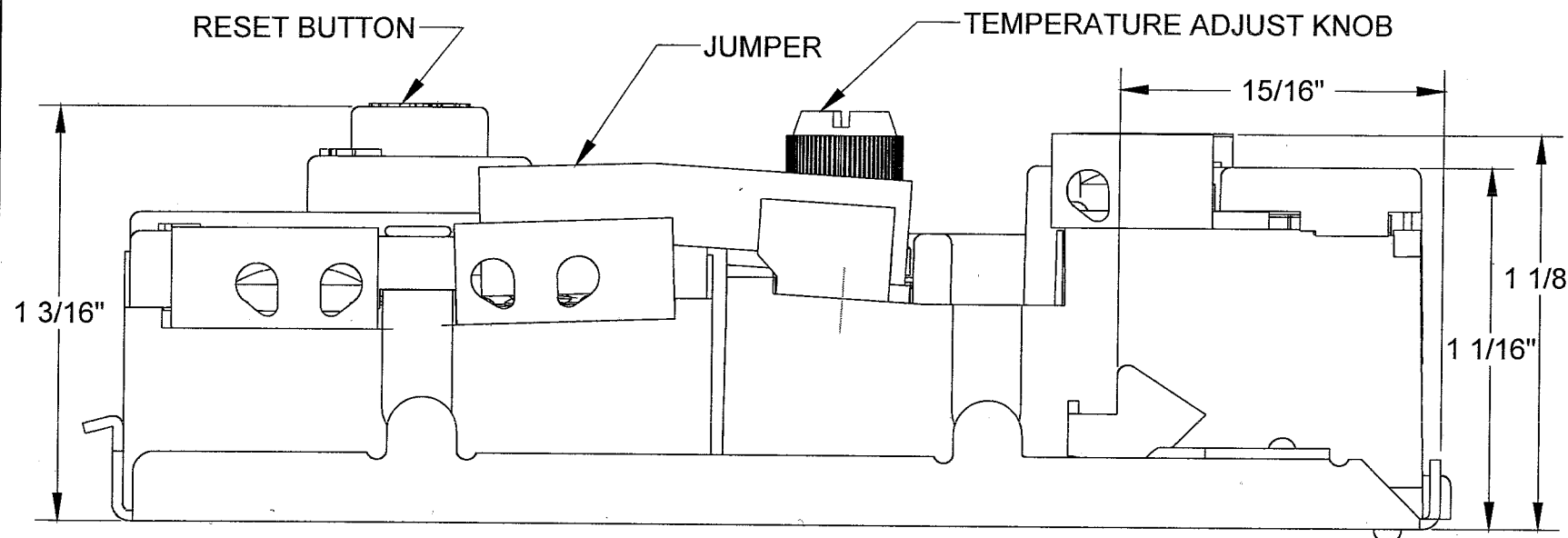


APCOM WL6170 HIGH LIMIT CONTROL:

1. OPEN TEMPERATURE: 170±5°F.
2. ELECTRICAL RATING: REF. COVER OF WL6 ON THIS DWG. U/L AND CSA AGENCY APPROVED.

APCOM WH10A THERMOSTAT:

1. CALIBRATED TO 120±5°F
2. TEMPT. RANGE: 110° TO 150°F.
3. TEMPT. DIFFERENTIAL: 17° TO 27°F BELOW CALIBRATION TEMPERATURE.
4. ELECTRICAL RATING: REF. COVER OF WH10A ON THIS DRAWING. U/L AND CSA AGENCY APPROVED.



ORIGINAL
PART NO. 700808-000

REV.	DCN	DESCRIPTION	DATE
01	A8119	700822 TO 700969 CAP	1/24/2007
00	A8046	INITIAL DRAWING	12/05/2006

MATERIAL: CONFIDENTIAL THIS DOCUMENT IS, AND CONTAINS, CONFIDENTIAL AND TRADE SECRET INFORMATION OF APCOM. THIS DOCUMENT IS LOANED FOR LIMITED PURPOSES ONLY, AND REMAINS THE PROPERTY OF APCOM. IT IS TO BE RETURNED UPON REQUEST, AND IN ALL EVENTS UPON COMPLETION OF THE PURPOSE OF THE LOAN. NEITHER IT, NOR THE INFORMATION IT CONTAINS, MAY BE REPRODUCED, USED, OR DISCLOSED TO PERSONS NOT HAVING A NEED TO KNOW CONSISTENT WITH THE PURPOSE OF THE LOAN, WITHOUT WRITTEN CONSENT OF APCOM.		UNSPECIFIED TOLERANCES: 2 PLACE DEC ±010 FRACT. ±1/32 3 PLACE DEC. ±.005 ANGLES ±2° ALL DIMENSIONS IN INCHES UNLESS OTHERWISE SPECIFIED. METRIC UNITS ARE DISPLAYED AS [XXX]		APCOM FRANKLIN, TN U.S.A. www.apcom-inc.com	
TITLE: THERMOSTAT, WH10A WL6170		DRAWN: MUNGUIA, J		CHECKED: <i>Jeff Baxter</i> 01/25/07	
DATE: 1/24/2007		SCALE: 2:1		DRAWING NUMBER: 700808-XXX	